



LoftZone, 82 Coast Road, West Mersea, Colchester, Essex, C05 8LS, UK  
01483 600304 www.loftzone.co.uk sales@loftzone.co.uk

## LoftZone StoreFloor Product Data Sheet

Applicability: United Kingdom

Version 1.0, March 2018

### Introduction

Research by the National Physical Laboratory and Carbon Trust has shown that loft insulation is frequently compressed down to joist height, in order to provide storage space and/or to allow for safe access walkways. This compression [reduces the insulation's effectiveness by at least 50%](#).

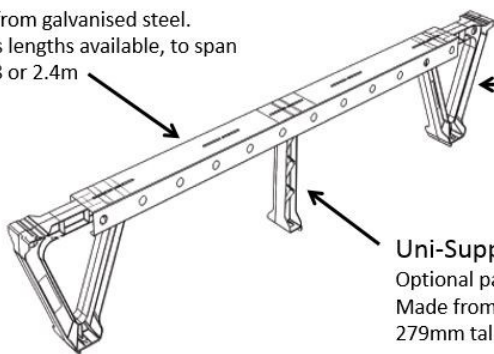
### Product Description

LoftZone StoreFloor is a raised decking system that allows a platform to be installed above deep insulation in a loft. This platform, which is typically chipboard, OSB or plywood, and sourced separately, provides storage space whilst also allowing safe access to maintain equipment in the loft space, as required under CDM 2015. LoftZone StoreFloor is the only such product that has BBA approval.

The LoftZone product has three parts:

#### **Cross-Beam**

The loft boards screw into this.  
Made from galvanised steel.  
Various lengths available, to span  
1.2, 1.8 or 2.4m



#### **Tri-Support**

Carries the load.  
Made from recycled plastic.  
279mm tall

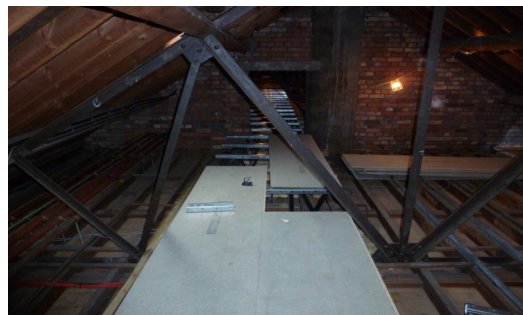
#### **Uni-Support**

Optional part that stiffens the deck.  
Made from recycled plastic.  
279mm tall

and typical configurations include:



*Storage deck in a house*



*Safe access deck in a school*

## Installation

Full installation instructions are available at [www.loftzone.co.uk](http://www.loftzone.co.uk).

## Product Performance

The LoftZone StoreFloor [BBA Certificate](#) confirms that “The system will have a service life of not less than 60 years provided it is installed using the Certificate holder’s instructions and the details given in this Certificate, and that the loft space has adequate ventilation.”

## Maintenance

Maintenance is not required for the LoftZone parts.

## Ventilation

To reduce the chance of condensation forming on the underside of the decking platform, it is necessary to maintain a space between the top of the insulation and the underside of the platform, and an adequate airflow through that space. The loft must also be well ventilated.

## Further information

LoftZone StoreFloor is available to purchase directly from [www.loftzone.co.uk](http://www.loftzone.co.uk) , online or by phone. Trade prices are available over the phone. The product is made in the UK and available for rapid delivery. It is also stocked in selected builders merchants.

For more information, please contact LoftZone on 01483 600304 or [sales@loftzone.co.uk](mailto:sales@loftzone.co.uk)